

Features

- Advanced Resynchronisation techniques to negate loop delay effects
- CMOS compatible output capability
- Multi-Modulus division
- Available as DESC SMD 5962-9208901MPA

Ordering Information

SP8782 A DG
 SP8782 B MP
 DES9208901/AC/DGAZ(SMD)

Description

The SP8782 is a multi-modulus divider which divides by 16/17 when the Ratio Select input is low and by 32/33 when the Ratio Select input is high. When high, the modulus Control input selects the lower division ratio (16 or 32) and the higher ratio (17 or 33) when it is low.

The device uses resynchronisation techniques to reduce the effects of propagation delays in frequency synthesis.

The SP8782A (ceramic DIL package) is characterised over the full military temperature range of -55°C to +125°C, the SP8782B (miniature plastic DIL package) over the industrial range of -40°C to +85°C.

Absolute Maximum Ratings

Supply Voltage	6V
Clock input level	2.5V p-p
Junction temperature	+175°C
Storage temperature range:	
SP8782A	-55°C to +150°C
SP8782B	-55°C to +125°C

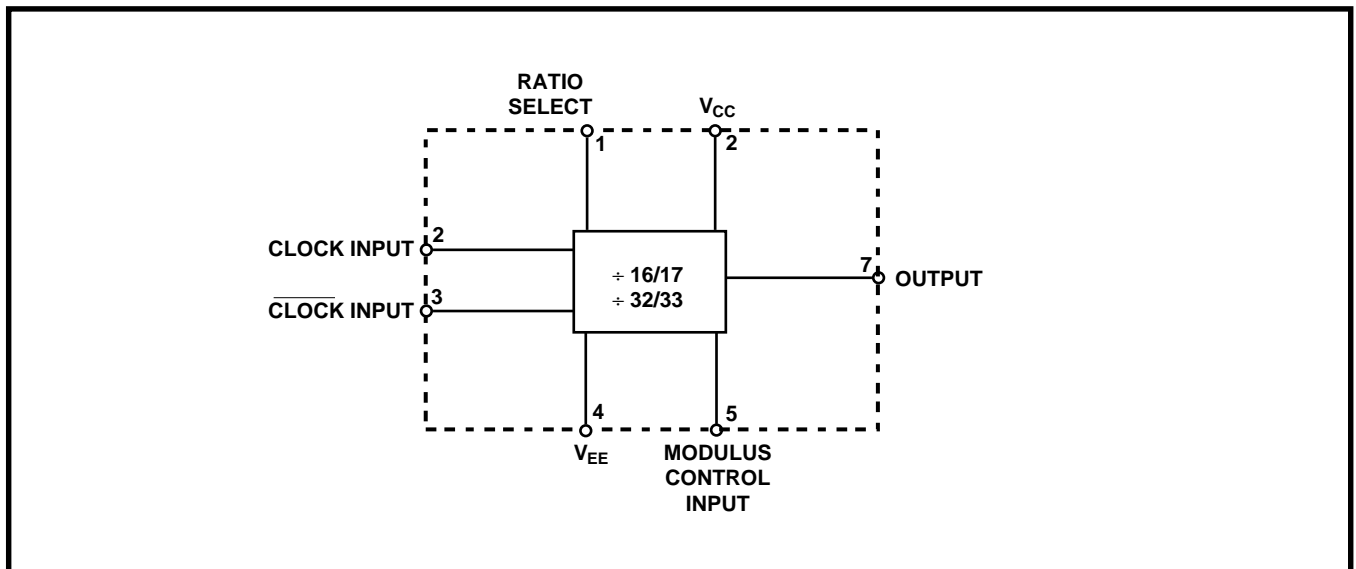


Figure 1 Functional Diagram

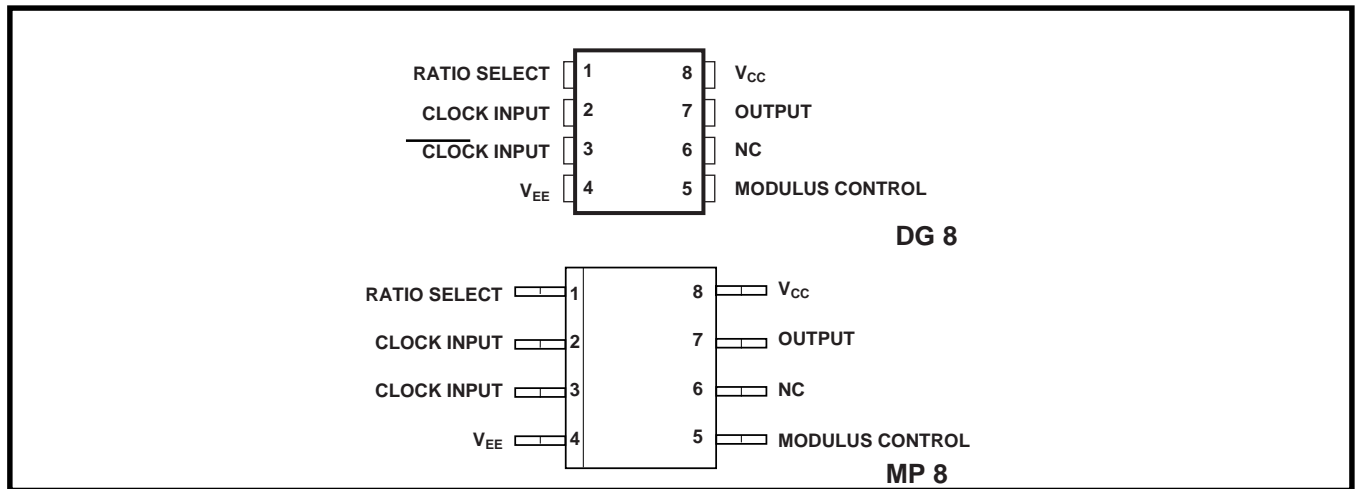


Figure 2 Typical Pin Connections

Electrical Characteristics

Unless otherwise stated, the Electrical Characteristics are guaranteed over the specified supply, frequency and temperature range.

Supply Voltage, $V_{CC} = +4V$ to $+5.5V$, $V_{EE} = 0V$

Temperature $T_{amb} = -55^{\circ}C$ to $+125^{\circ}C$, (SP8782A), $-40^{\circ}C$ to $+85^{\circ}C$ (SP8782B)

Characteristic	Pin	Value		Units	Conditions
		Min	Max		
Maximum frequency (sinewave input)	2, 3	1		GHz	Input = 200-1200mVp-p
Minimum frequency	2, 3		50	MHz	Input = 400-1200mVp-p
Min Slew rate for low frequency operation	2, 3		100	V/ μ s	
Power Supply current, I_{CC}	8		60	mA	Output unloaded, $V_{CC}=5.5V$
Output low voltage	7	0	1.7	V	
Output high voltage	7	$V_{CC}-1.4$	V_{CC}	V	
Modulus control input high voltage	5	$0.7V_{CC}$	V_{CC}	V	At driver end of $3k\Omega$ resistor
Modulus control input low voltage	5	0	$0.3V_{CC}$	V	At driver end of $3k\Omega$ resistor
Modulus control input high current	5	0.6	1.2	mA	Via $3k\Omega$ resistor to V_{CC}
Modulus control input low current	5	-0.6	-1.2	mA	Via $3k\Omega$ resistor to V_{CC}
Ratio select input high voltage	1	$0.6V_{CC}$	V_{CC}	V	
Ratio selected input low voltage	1	0	$0.4V_{CC}$	V	
Ratio select input current	1	-10	10	μ A	
Clock to output propagation Delay	2,3,7		3	ns	
Set-up time, t_s	5,7	3		ns	See note 1 and Fig. 3a
Release time, t_r	5,7	3		ns	See note 2 and Fig. 3b

- Notes: 1. The set-up time t_s is defined as the minimum time that can elapse between L→H transition of the modulus control input and the next L→H output transition to ensure that the ÷ 16 (32) mode is obtained.
 2. The release time t_r is defined as the minimum time that can elapse between H→L transition of the modulus control input and the next L→H output transition to ensure that the ÷ 17 (33) mode is obtained.

Modulus control input	Ratio select input	
	0	1
0	÷17	÷33
1	÷16	÷32

Table 1 Truth table for control inputs

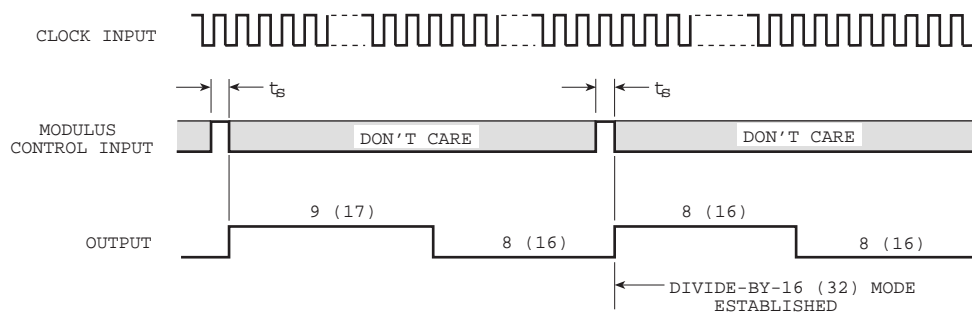


Figure 3a Setting divide - by - 16 (32 mode)

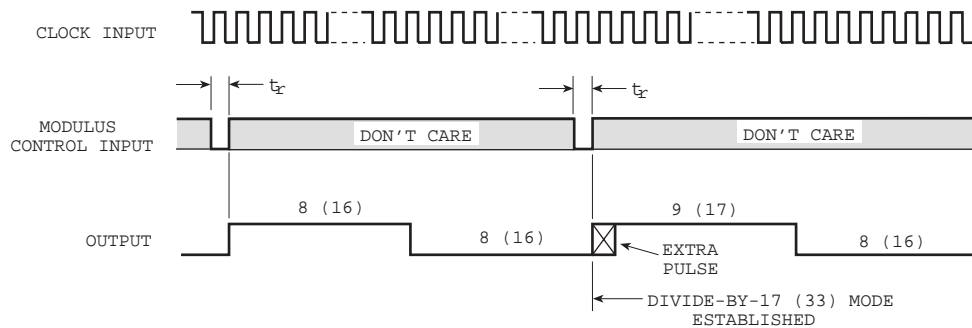


Figure 3b Setting divide - by - 17 (33 mode)

Figure 3 Timing diagrams

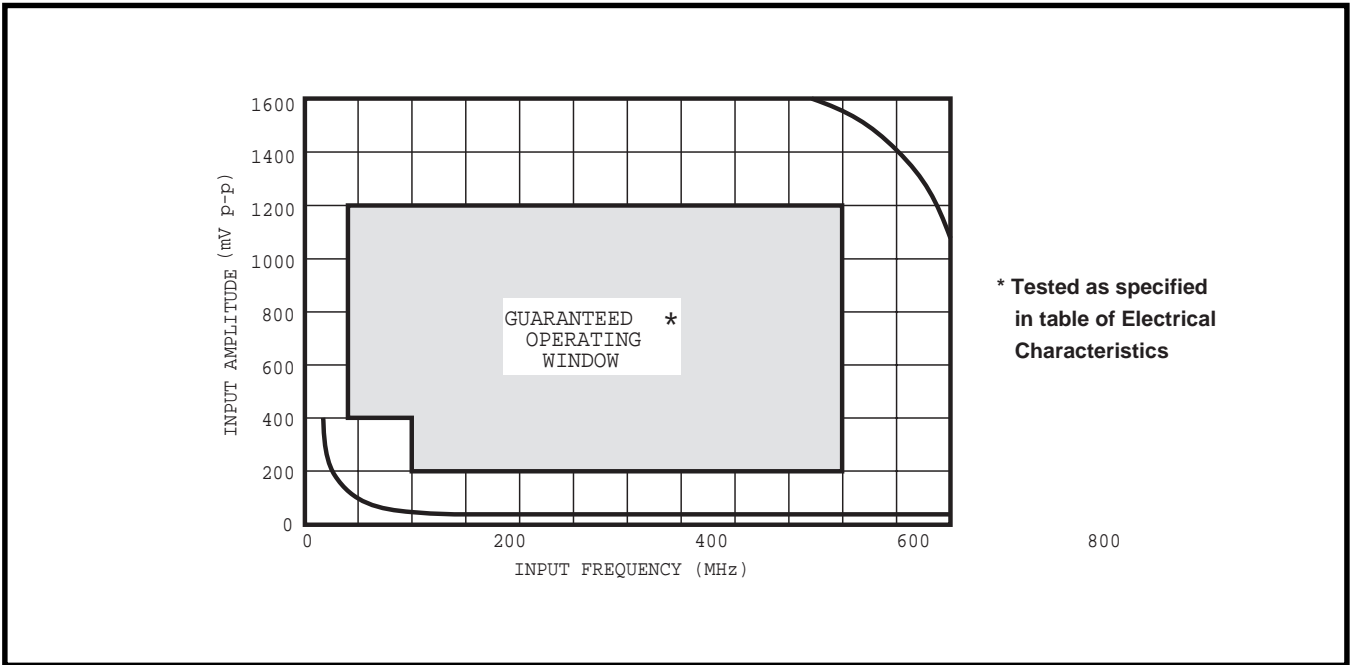


Figure 4 Typical input characteristics

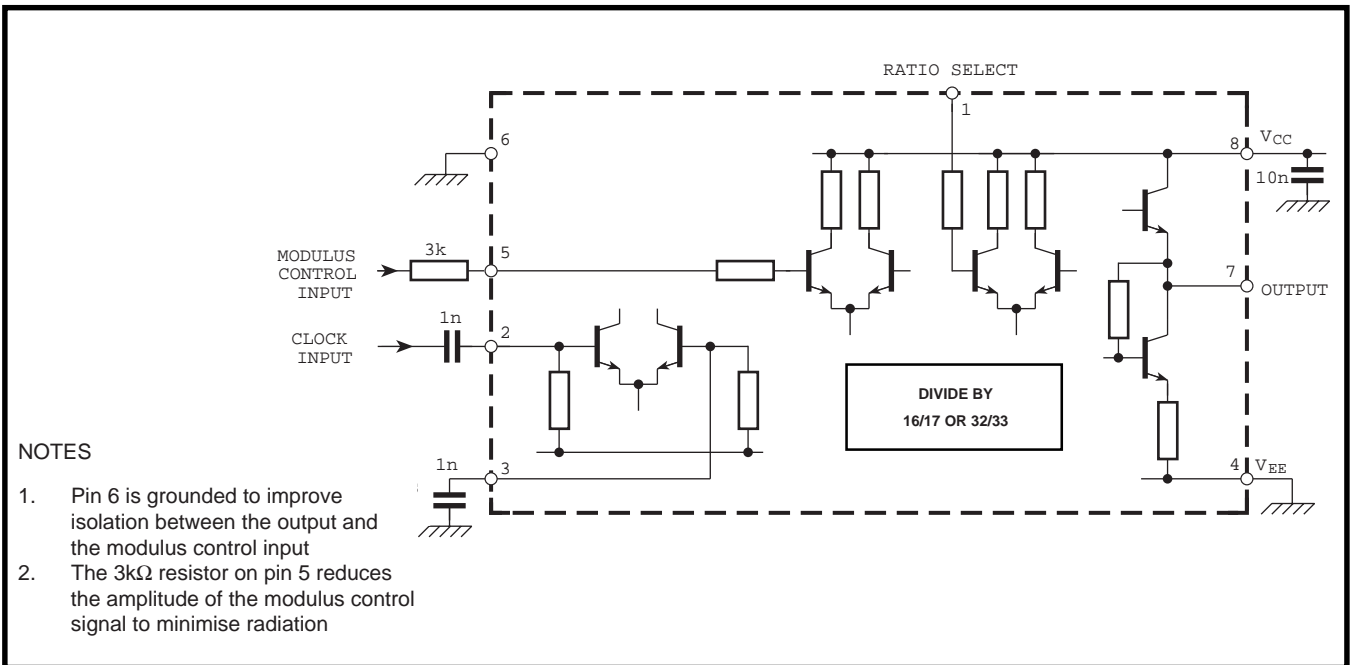


Figure 5 Typical application showing interfacing

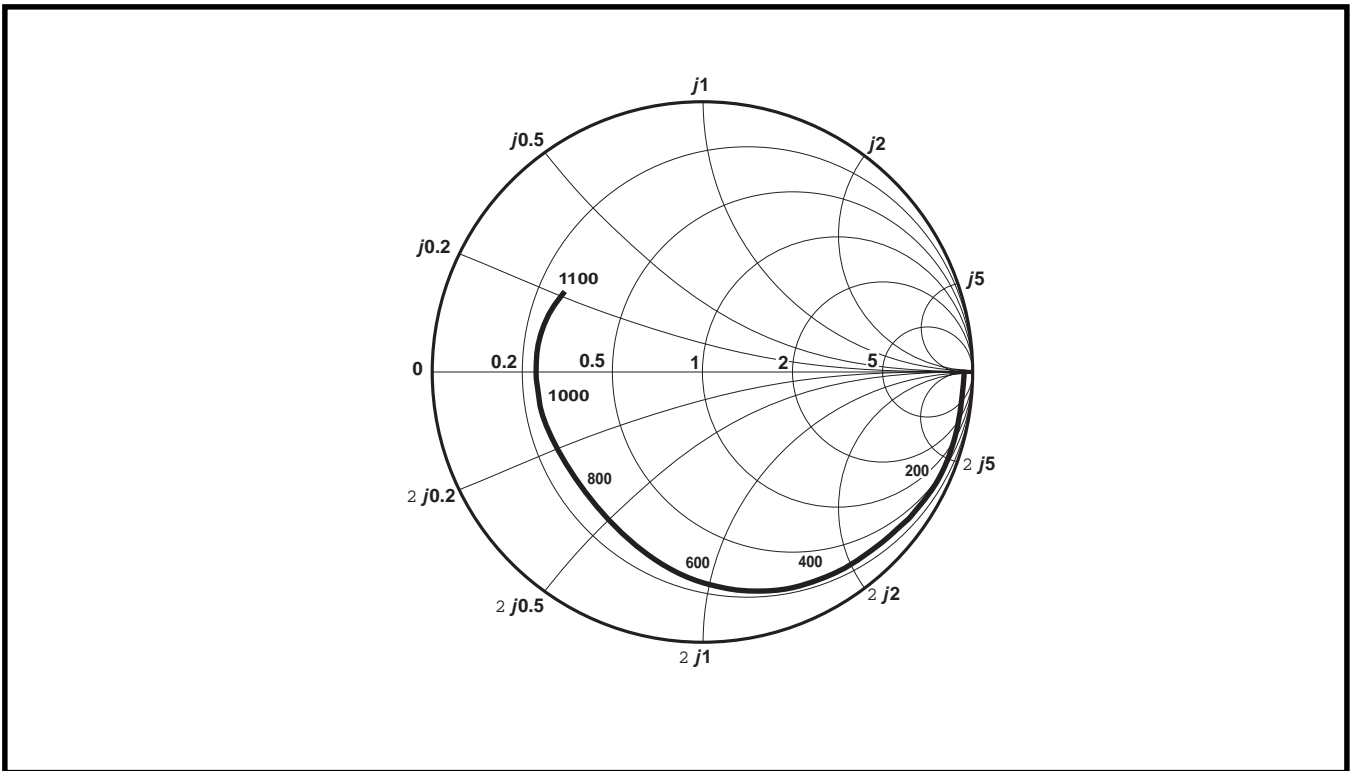
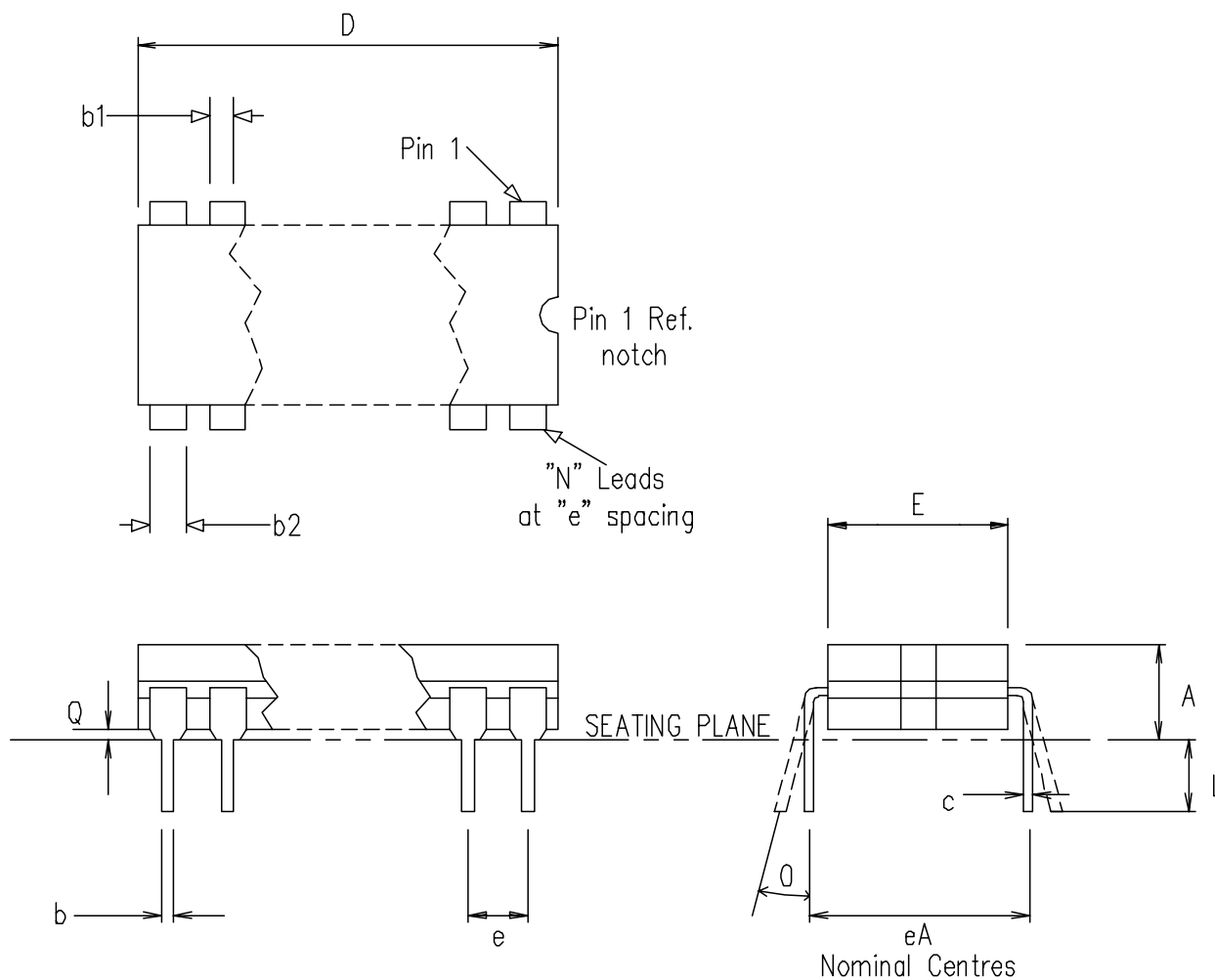


Figure 6 Typical input impedance. Test conditions: supply voltage =5V, ambient temperature =25°C, frequencies in MHz, impedances normalised to 50Ω



Symbol	Altern. Dimensions in millimetres			Control Dimensions in inches		
	MIN	Nominal	MAX	MIN	Nominal	MAX
L	3.18		4.06	0.125		0.160
A			5.08			0.200
Q	0.51			0.020		
E	5.59		7.87	0.220		0.310
eA		7.62			0.300	
c	0.20		0.36	0.008		0.014
D			10.29			0.405
e	2.54 BSC.			0.100 BSC.		
b1	1.14		1.65	0.045		0.065
b	0.36		0.58	0.014		0.023
b2	0.73		1.12	0.029		0.044
Q			15°			15°
Pin features						
N	8					
ND	4					
NE	0					
NOTE	RECTANGULAR					

This drawing supersedes 418/ED/39501/001 (Swindon)

© Mitel

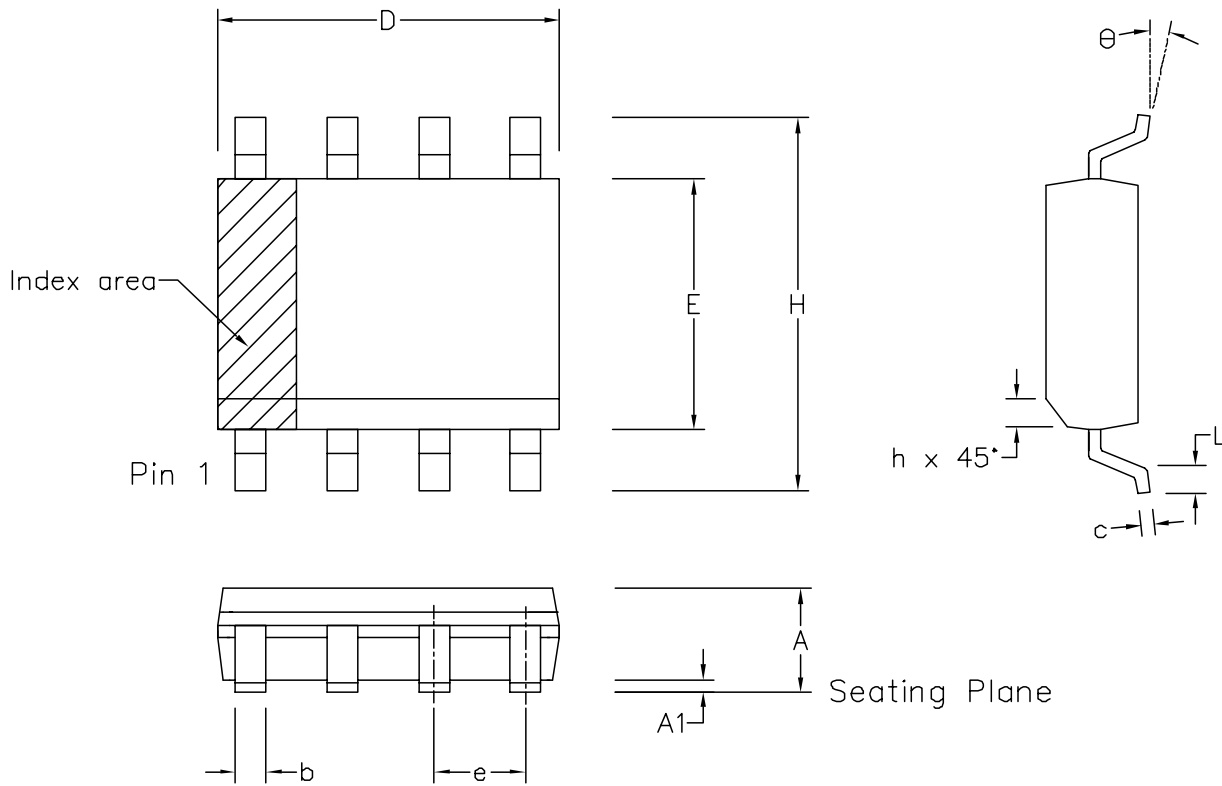
ORIGINATING SITE: SWINDON

ISSUE	1				
ACN	201728				
DATE	20.NOV.96				
APPROVED					

MITEL SEMICONDUCTOR

Title: Outline drawing for
8 Lead Cerdip (DG)

Drawing Number
GPD00270



	Min mm	Max mm	Min inch	Max inch
A	1.35	1.75	0.053	0.069
A1	0.10	0.25	0.004	0.010
D	4.80	5.00	0.189	0.197
H	5.80	6.20	0.228	0.244
E	3.80	4.00	0.150	0.157
L	0.40	1.27	0.016	0.050
e	1.27 BSC		0.050 BSC	
b	0.33	0.51	0.013	0.020
c	0.19	0.25	0.008	0.010
O	0°	8°	0°	8°
h	0.25	0.50	0.010	0.020
	Pin Features			
N	8		8	
Conforms to JEDEC MS-012AA Iss. C				

Notes:

1. The chamfer on the body is optional. If it not present, a visual index feature, e.g. a dot, must be located within the cross-hatched area.
2. Controlling dimension are in inches.
3. Dimension D do not include mould flash, protusion or gate burrs. These shall not exceed 0.006" per side.
4. Dimension E1 do not include inter-lead flash or protusion. These shall not exceed 0.010" per side.
5. Dimension b does not include dambar protusion/intrusion. Allowable dambar protusion shall be 0.004" total in excess of b dimension.

© Mitel

ORIGINATING SITE: SWINDON

ISSUE	1	2	3	4	
ACN	006745	201936	202595	203705	
DATE	5APR95	27FEB97	12JUN97	9DEC97	
APPROVED					

MITEL SEMICONDUCTOR

Title: Package Outline Drawing for
8 lds SOIC(N)-0.150" Body Width (MP)

Drawing Number
GPD00010



<http://www.mitelsemi.com>

World Headquarters - Canada

Tel: +1 (613) 592 2122
Fax: +1 (613) 592 6909

North America

Tel: +1 (770) 486 0194
Fax: +1 (770) 631 8213

Asia/Pacific

Tel: +65 333 6193
Fax: +65 333 6192

**Europe, Middle East,
and Africa (EMEA)**

Tel: +44 (0) 1793 518528
Fax: +44 (0) 1793 518581

Information relating to products and services furnished herein by Mitel Corporation or its subsidiaries (collectively "Mitel") is believed to be reliable. However, Mitel assumes no liability for errors that may appear in this publication, or for liability otherwise arising from the application or use of any such information, product or service or for any infringement of patents or other intellectual property rights owned by third parties which may result from such application or use. Neither the supply of such information or purchase of product or service conveys any license, either express or implied, under patents or other intellectual property rights owned by Mitel or licensed from third parties by Mitel, whatsoever. Purchasers of products are also hereby notified that the use of product in certain ways or in combination with Mitel, or non-Mitel furnished goods or services may infringe patents or other intellectual property rights owned by Mitel.

This publication is issued to provide information only and (unless agreed by Mitel in writing) may not be used, applied or reproduced for any purpose nor form part of any order or contract nor to be regarded as a representation relating to the products or services concerned. The products, their specifications, services and other information appearing in this publication are subject to change by Mitel without notice. No warranty or guarantee express or implied is made regarding the capability, performance or suitability of any product or service. Information concerning possible methods of use is provided as a guide only and does not constitute any guarantee that such methods of use will be satisfactory in a specific piece of equipment. It is the user's responsibility to fully determine the performance and suitability of any equipment using such information and to ensure that any publication or data used is up to date and has not been superseded. Manufacturing does not necessarily include testing of all functions or parameters. These products are not suitable for use in any medical products whose failure to perform may result in significant injury or death to the user. All products and materials are sold and services provided subject to Mitel's conditions of sale which are available on request.

M Mitel (design) and ST-BUS are registered trademarks of MITEL Corporation
Mitel Semiconductor is an ISO 9001 Registered Company
Copyright 1999 MITEL Corporation
All Rights Reserved
Printed in CANADA

TECHNICAL DOCUMENTATION - NOT FOR RESALE